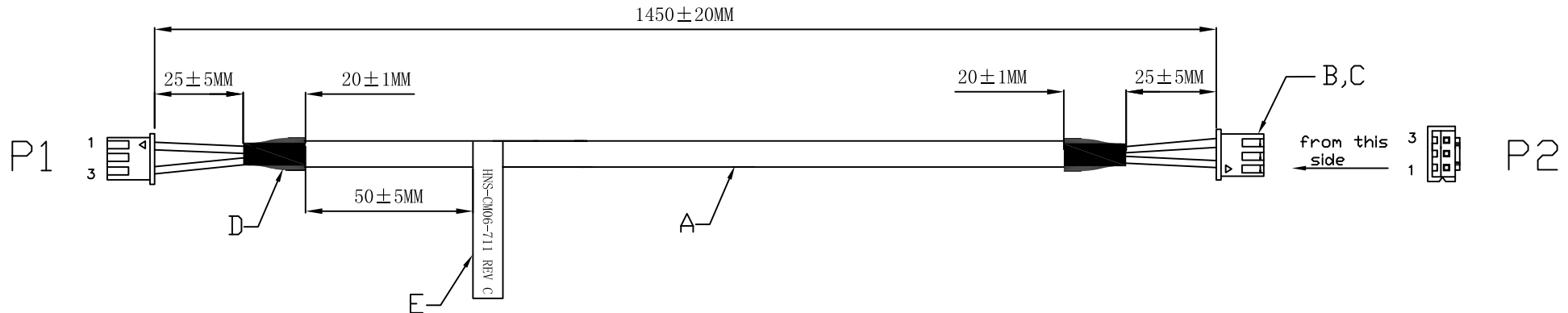


RoHS

Version No.	Modification	Date
A	change Pin #2 to #3 both sides	Feb 17,2016
C	Length changed to 1450±20 from 1100mm	Jul 06,2017



PIN WIRING

#1 P1	RED	#1 P2
#3 P1	BLACK	#3 P2

- 1.100% open & short & miswire testing
- 2. All material are ROHS compliant



Ecocables Electronics Co.,Ltd
www.ecocables.net

E	LABEL	WHITE GROUND BLACK CHARACTER 55*10mm HNS-CM06-711 REV C	1PCS	
D	TUBE	∅3.0*20mm HEAT SHRINK TUBE COLOR BLACK	2PCS	
C	TERMINAL	JST SXH-001T-P0.6 XH2.5-T(equivalent)	4PCS	
B	HOUSING	JST XHP-3 XH2.5-3P(equivalent)	2PCS	
A	CABLE	UL2464 22AWG 2C RED,BLACK JACKET:BLACK	1PCS	
NO.	Product name	Specification	Q' TY	Remark

Customer		Customer No.		
Material name		Approved	Tim. Z	
Unit	Scale	Free	Checked	Daivd.L
mm		Drawn by	Percy.F	Revision date Jul 06,2017
				Drawn date Jan 22,2016

1

2

3

4

5