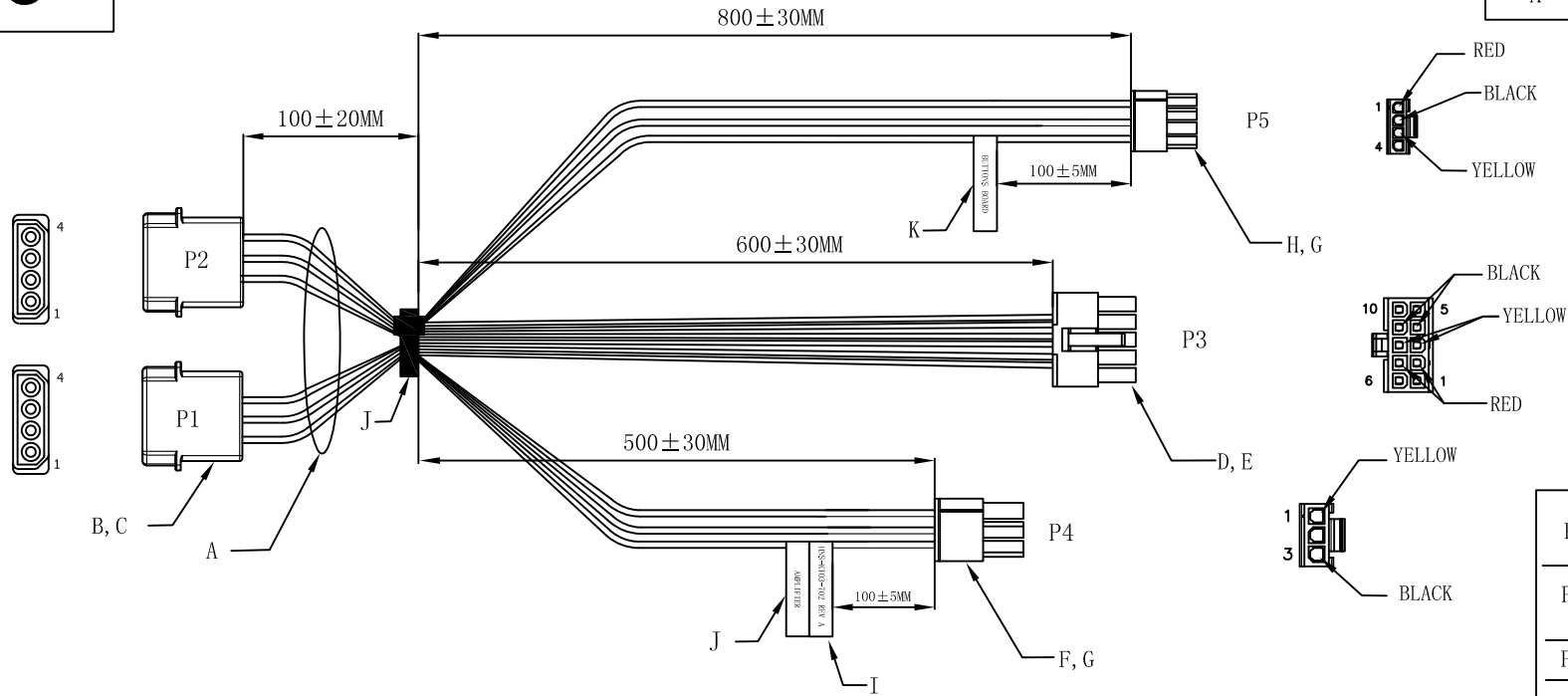


RoHS

Version No.	Modification	Date
A		



PIN WIRING

P1, #1	YELLOW	P3, #3
P1, #2	BLACK	P3, #4
P1, #4	RED	P4, #3
P2, #1	YELLOW	P3, #8
P2, #2	BLACK	P5, #3
P1, #4	RED	P3, #7
		P5, #1

J	CLBLE TIE	CABLE TIE	1PCS	
K	LABEL	WHITE GROUND BLACK CHARACTER 55*10mm BUTTONS BOARD	1PCS	
J	LABEL	WHITE GROUND BLACK CHARACTER 55*10mm AMPLIFIER	1PCS	
I	LABEL	WHITE GROUND BLACK CHARACTER 55*10mm HNS-KT03-702 REV A	1PCS	
H	HOUSING	MOLEX0436450400 (equivalent) 3.0	1PCS	
G	TERMINAL	MOLEX0430300007 (equivalent) 3.0	5PCS	
F	HOUSING	MOLEX0436450300 (equivalent) 3.0	1PCS	
E	TERMINAL	MOLEX0039000213 (equivalent) 4.2	6PCS	
D	HOUSING	MOLEX0039012105 (equivalent) 4.2	1PCS	
C	TERMINAL	TE60620-1 (equivalent)	6PCS	
B	HOUSING	TE 1-480426-0 (equivalent)	2PCS	
A	WIRE	UL1007 18AWG (34/0.18TS) OD2.1MM (RED, BLACK, YELLOW)	1PCS	
NO.	Product name	Specification	Q' TY	Remark



Ecocables Electronics Co.,Ltd
www.ecocables.net

Customer				Customer No.			
Material name				Approved	Tim. Z		
Unit	Scale	Free	Checked	Daivd.L	Revision date		
mm			Drawn by	Percy.F	Drawn date	Apr 15,2015	