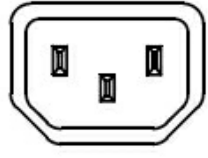


1

**RoHS**

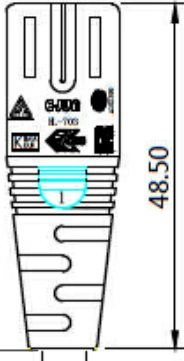
2



3

360 ± 10MM

VDEHO 3VVH2-F 2x0.75mm 2 60227IEC53RVW300 300VCCCA003083



4

Version No.	Modification	Date
A		

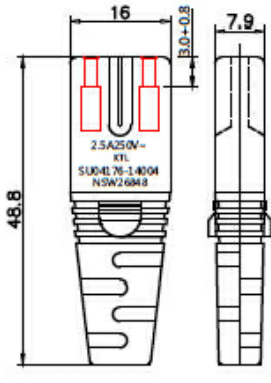
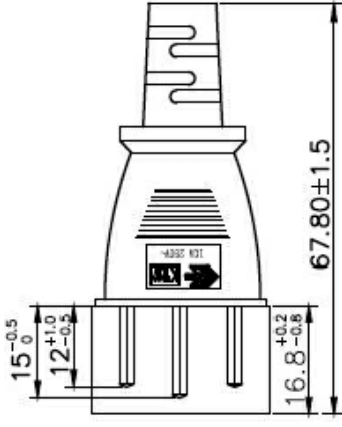
5

A

B

C

D



**Eccables Electronics Co., Ltd**  
www.eccables.net

Customer

Customer No.

Material name

Approved

Tim. Z

Unit

Scale

Checked

Revision date

mm

Free

Drawn by

Percy.F

Dec 15.2015

1

2

3

4

5