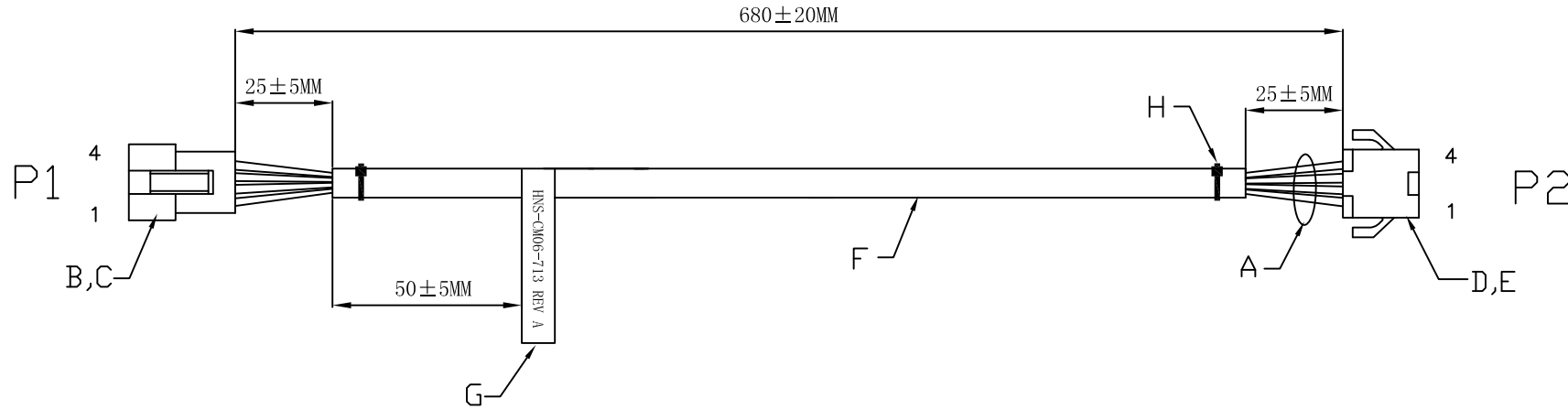


RoHS

Version No.	Modification	Date
A		




- 1. 100% open & short & miswire testing
- 2. All material are ROHS compliant

APPROVED

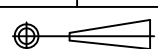
PIN WIRING

#1 P1	RED	#1 P2
#2 P1	BLUE	#2 P2
#3 P1	GREEN	#3 P2
#4 P1	BLACK	#4 P2

H	TIE	CABLE TIE	2PCS	
G	LABEL	WHITE GROUND BLACK CHARACTER 55*10mm HNS-CM06-713 REV A	1PCS	
F	TUBE	∅4.5*630mm PVC TUBE COLOR BLACK	2PCS	
E	TERMINAL	JST SHF-001T-08BS SM2.5-T female(equivalent)	4PCS	
D	HOUSING	JST SMP-04V-B SM2.5-4P male (equivalent)	1PCS	
C	TERMINAL	JST SYM-001T-P0.6 SM2.5-T male (equivalent)	4PCS	
B	HOUSING	JST SMR-04V-B SM2.5-4P female(equivalent)	1PCS	
A	WIRE	UL1007 22AWG RED, GREEN, BLUE, BLACK	1PCS	
NO.	Product name	Specification	Q' TY	Remark



Ecocables Electronics Co.,Ltd
www.ecocables.net

Customer		Customer No.			
Material name		Approved	Tim. Z		
Unit	Scale	Free	Checked	Daivd.L	Revision date
mm		Drawn by	Percy.F	Drawn date	Jan 23, 2016

1

2

3

4

5