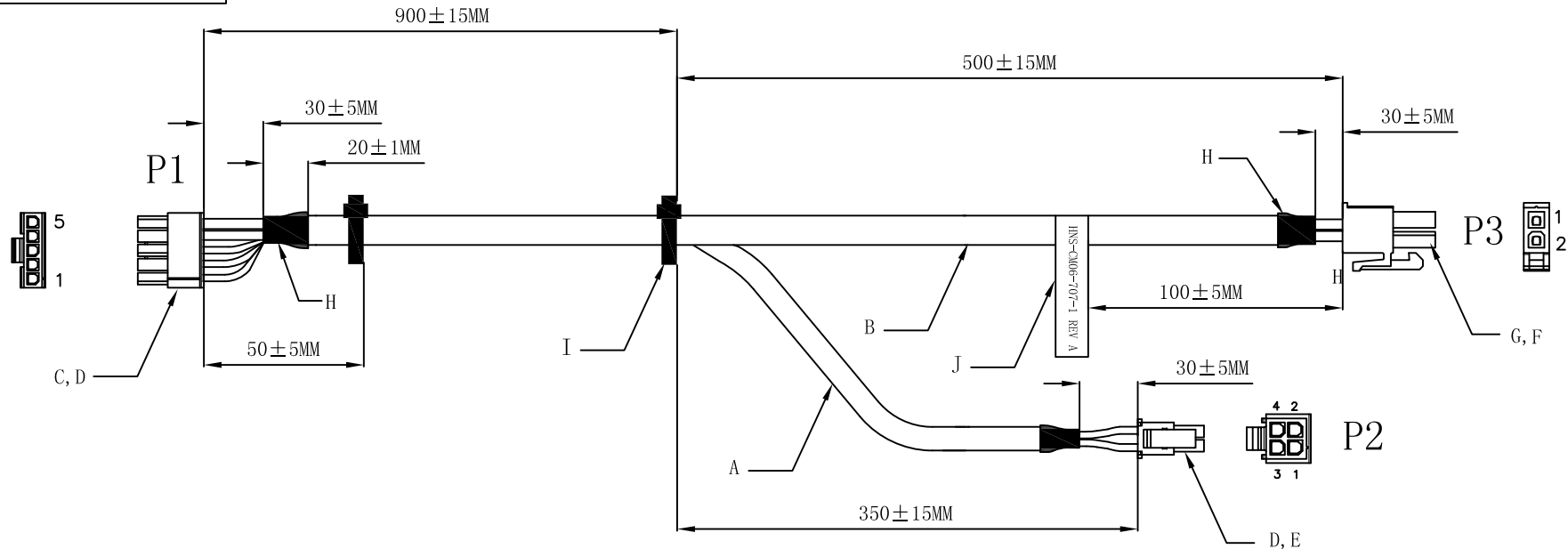


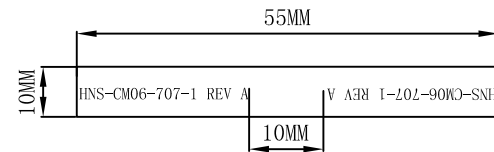
RoHS

Version No.	Modification	Date
A		




PIN WIRING

P1, #1	RED	P3, #1
P1, #2	BLACK	P3, #2
P1, #3	RED	P2, #3
P1, #4	YELLOW	P2, #4
P1, #5	BLACK	P2, #2




J	LABEL	WHITE GROUND BLACK CHARACTER 55*10MM HNS-CM06-707-1 REV A	1PCS	
I	CLBLE TIE	CABLE TIE	2PCS	
H	TUBE	∅6.0*20mm HEAT SHRINK TUBE COLOR BALCK	4PCS	
G	HOUSING	MLX0039013022 MLX4.2(equivalent)	1PCS	
F	TERMINAL	MLX0039000208 MLX4.2-T(equivalent)	2PCS	
E	HOUSING	MLX0430250400 MLX3.0(equivalent)	1PCS	
D	TERMINAL	MLX0430300007 MLX3.0-T(equivalent)	8PCS	
C	HOUSING	MLX0436450500 MLX3.0(equivalent)	1PCS	
B	CABLE	UL2464 22AWG 2C (RED, BLACK) JACKET:BLACK	1PCS	
A	CABLE	UL2464 22AWG 3C (RED, BLACK, YELLOW) JACKET:BLACK	1PCS	
NO.	Product name	Specification	Q' TY	Remark



Ecocables Electronics Co.,Ltd

www.ecocables.net

Customer	Customer No.				
Material name	Approved	Tim. Z			
Unit	Scale	Free	Checked	Daivd.L	Revision date
mm		Drawn by	Percy.F	Drawn date	Apr 17,2015

1

2

3

4

5