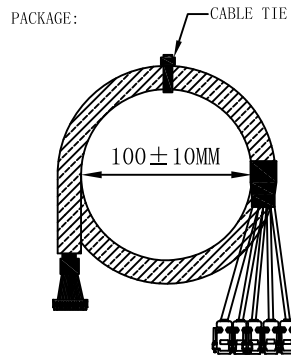
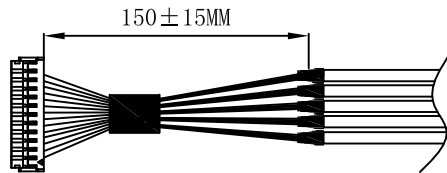
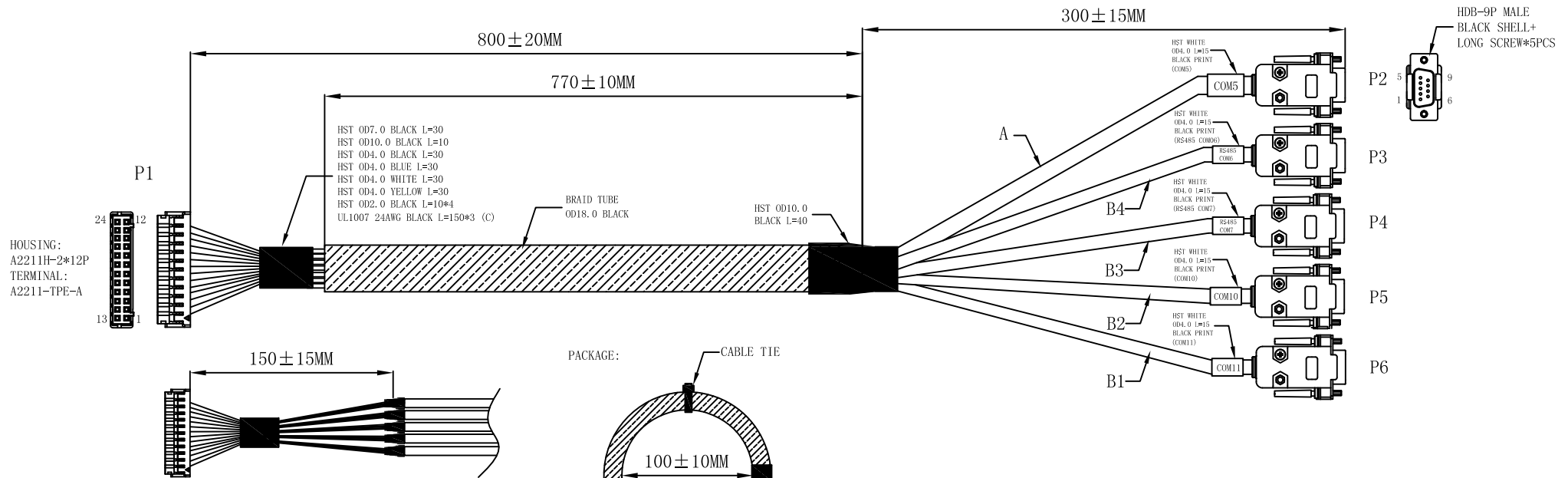


# RoHS

Version No.	Modification	Date
A		



**WIRE:**

A: TS7\*0.19\*1.1 (PVC)\*9C+F+PA OD5.7 PVC BLACK  
 B1, B2, B3, B4: AS14\*0.16\*1.25 (PVC)\*2C+SP (TS60\*0.1) OD4.0 PVC BLACK  
 C: UL1007 24AWG (TS11\*0.16\*1.4) BLACK

	PIN WIRING			PIN WIRING		
COM11	P1, 1	BLACK (C), SPRIL (B1)	P6, 5	P1, 10	BLUE (A)	P2, 4
	P1, 2	RED (B)	P6, 2	P1, 11	PINK (A)	P2, 9
	P1, 3	WHITE (B)	P6, 3	P1, 12	PURPLE (A)	P2, 6
COM10				P1, 19	BLACK (A)	P2, 5
	P1, 4	BLACK (C), SPRIL (B2)	P5, 5	P1, 20	WHITE (A)	P2, 1
	P1, 5	RED (B2)	P5, 2	P1, 21	RED (A)	P2, 8
	P1, 6	WHITE (B2)	P5, 3	P1, 22	ORANGE (A)	P2, 7
				P1, 23	BROWN (A)	P2, 2
				P1, 24	YELLOW (A)	P2, 3
RS485 COM7	PIN WIRING					
	P1, 13	BLACK (C), SPRIL (B3)	NOT CONNECTED			
	P1, 14	RED (B3)	P4, 1			
RS485 COM6	PIN WIRING					
	P1, 16	BLACK (C), SPRIL (B4)	NOT CONNECTED			
	P1, 17	RED (B4)	P3, 1			
	P1, 18	WHITE (B4)	P3, 9			

Customer	Customer No.		Product name	
Material name	Approved	Tim. Z		
Unit	Scale	Free	Checked	Daivd.L
mm			Drawn by	Percy.F
Revision date			Drawn date	Sep 19, 2017